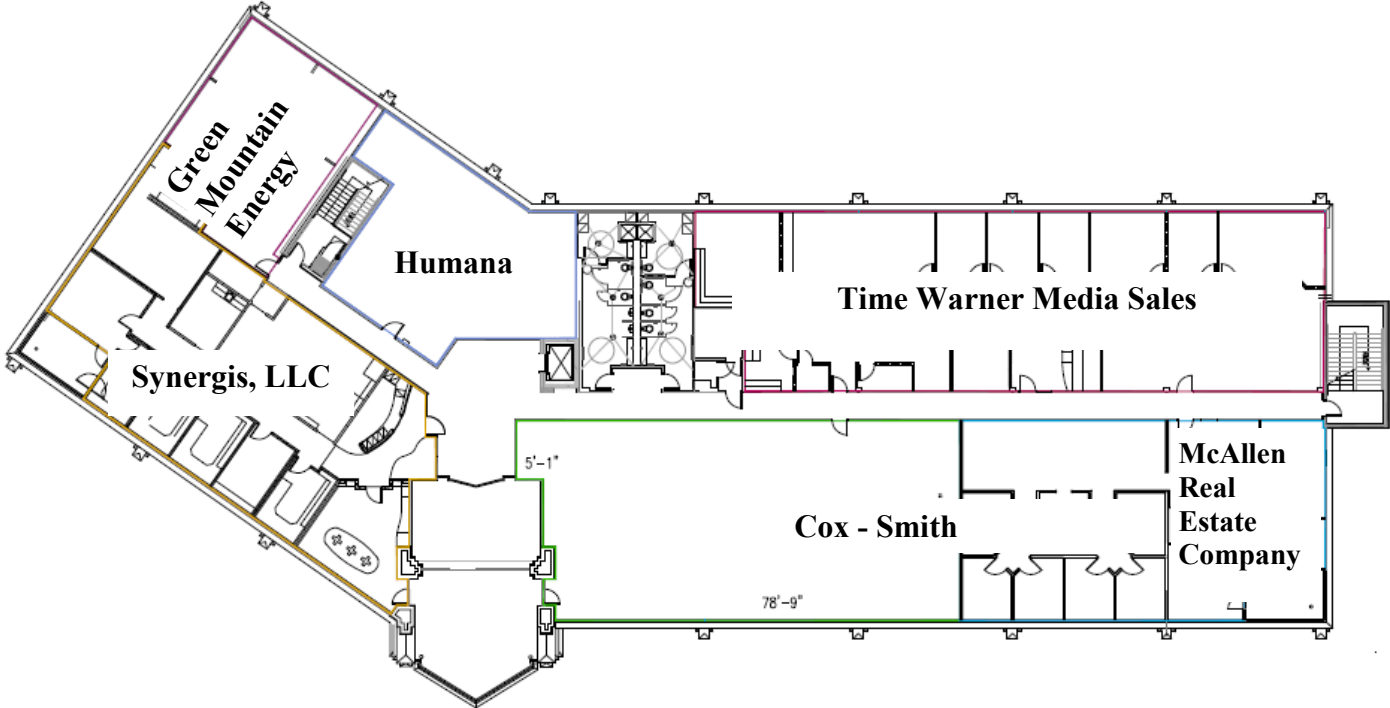


# Commerce Center West

1400 N MColl  
McAllen, TX 78501



## SECOND STORY FLOOR PLAN

1/32" = 1'-0"

March 2012